

Stockholder Of Din Pn10 Coupolet, Copper Nickel Coupolet Exporter in India, Alloy 20 Coupolet Traders In India, ASTM A182 SS Coupolet, Alloy Steel Welding Outlets, Inconel 600 Coupolet

Stockist Of Stainless Steel Coupolet, Raised Faced Coupolet Dealer In India, Ansi B16.11 Coupolet, ASME B16.11 Coupolet, Asme B16.11 Class 150 Coupolet Dimension

Best Deal Of Duplex Steel Coupolet, Hastelloy C22 Coupolet, Alloy Steel Blind Coupolet, Nickel Alloy 200 Coupolet, Manufacturer Of Coupolet, Carbon Steel Coupolet, Mss Sp-97 Coupolet In India

Coupolet is the most popular branch connection: the branch is made by welding the item to the outlet of the run pipe. The ends of a **Coupolet** are bevelled to facilitate the welding process, and for this reason **Coupolet** belong to the family of butt weld fittings.

Fivebros forgings Pvt LTD. Is One Of The Largest **Manufacturer Of Coupolet in India.** **SS ASME B16.11 Coupolet** has excellent resistance to chloride-ion stress-corrosion cracking, and as well shows appropriate resistance to a number of oxidizing environments. **ANSI B16.11 Coupolet** is very much resistant to chemical corrosion and oxidation (corrosion resistant), and has some high stress-rupture effectiveness and low creep rates under high stresses at temperatures after suitable heat treatment. Our **ASTM A182 Coupolet** are accessible to our valuable customers in different range of diameters (d), wall thicknesses (w) and sizes (nom. Pipe Size) in customized form (as per customer requirement or order) and also at quite affordable rates (Best Price In India). Meanwhile, we offer different types of these fitting such as [We Manufacture And Supply Coupolet In Other Materials Like :] **Stainless Steel 304 Coupolet**, Inconel 625 Coupolet, **Carbon Steel Coupolet**, **Alloy Steel Coupolet**, etc.

ASME B16.9 Coupolet Manufacturers

Standard Specification of Coupolet

Dimensions : ASME 16.11, MSS SP-97, BS 3799

Size : 1/2" to 24"

Pressure Class : 3000 LBS, 6000 LBS, 9000 LBS

Form : Welding Outlets, Welding Olets.

What is Coupolet

Coupolet is the most popular branch connection: the branch is made by welding the item to the outlet of the run pipe. The ends of a **ASTM A105 Coupolet** are bevelled to facilitate the welding process, and for this reason **Coupolet** belong to the family of butt weld Fittings.

Manufacturing Standards of Coupolet

ASTM A182 – ASME SA182 – Standard Specification for Wrought Austenitic Stainless Steel Piping Fittings

ASME B16.11 – Forged Fittings Socket – Welding and Threaded

MSS SP-97 – Integrally Reinforced Forged Branch Coupolet – Socket Welding, Threaded and Buttwelding End

Material & Grades of ASME B16.9 Coupolet :

Stainless Steel Coupolet :

ASTM A 182, A 240 F 304, 304L, 304H, 316, 316L, 316Ti, 310, 310S, 321, 321H, 317, 347, 347H, 904L

Duplex & Super Duplex Steel Coupolet :

ASTM / ASME A/SA 182 F 44, F 45, F 51, F 53, F 55, F 60, F 61

Carbon Steel Coupolet :

ASTM / ASME A/SA 105 ASTM / ASME A 350 , ASTM A 181 LF 2 / A516 Gr.70 A36, A694 F42, F46, F52, F60, F65, F706

Low Temperature Carbon Steel Coupolet : ASTM A350, LF2, LF3

Alloy Steel Coupolet :

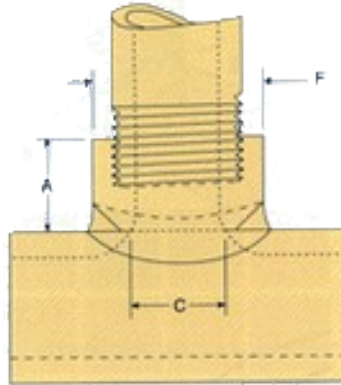
ASTM / ASME A/SA 182 & A 387 F1, F5, F9, F11, F12, F22, F91

Copper Alloy Steel Coupolet : ASTM SB 61 , SB62 , SB151 , SB152 UNS No. C 70600 (Cu-Ni 90/10), C 71500 (Cu-Ni 70/30), UNS No. C 10100, 10200, 10300, 10800, 12000, 12200

Nickel Alloy Coupolet :

ASTM SB564, SB160, SB472, SB162 Nickel 200 (UNS No. N02200), Nickel 201 (UNS No. N02201), Monel 400 (UNS No. N04400), Monel 500 (UNS No. N05500), Inconel 800 (UNS No. N08800), Inconel 825 (UNS No. N08825), Inconel 600 (UNS No. N06600), Inconel 625 (UNS No. N06625), Inconel 601 (UNS No. N06601), Hastelloy C 276 (UNS No. N10276), Alloy 20 (UNS No. N08020)

Coupolet Dimensions :



Olets Branch Connection – Coupolet Dimensions

300# Female Threaded Coupolet			
Nominal Outlet Size	Dimensions		
	A	C	F
1/2	15/16	0.745	1.188
3/4	1	0.958	1.441
1	1 3/16	1.188	1.562
1 1/4	1 5/16	1.550	1.906
1 1/2	1 9/16	1.780	2.188
2	1 11/16	2.260	2.750
2 1/2	1 13/16	2.890	3.386
3	2 1/2	3.400	4.000
4	3	4.380	5.000

Interchangeability or Combination of Sizes										
Coupolet Outlet Size Inches	Run Sizes									
	1/2	1/2	3/4	1-1/4	1	2-1/2	1-1/2	8-3	36-10	
3/4	3/4	1	2	1-1/4	6	2-1/2	36-8			
1	1	1-1/4	2	1-1/2	4	2-1/2	8-5	36-10		
1-1/4	1-1/4	1-1/2	2-1/2	2	4-3	8-5		36-10		
1-1/2	1-1/2	2	2-1/2	4-3	8-5		16-10	36-18		
2	2	2 1/2	3	3-1/2	4	5	6	8	10	16-12 36-18
2-1/2	2-1/2	3	3-1/2	4	5	6	8	12-10	16-14	36-18

3	3	3-1/2	4	5	6	8	10	12	14	18-16	36-20
4	5	6	8	10	14-12	16	18	20	24	36	