

Stockholder Of Din Pn10 Flexolet Threaded, Copper Nickel Flexolet Threaded Exporter in India, Alloy 20 Flexolet Threaded Traders In India, ASTM A182 SS Flexolet Threaded, Alloy Steel Welding Outlets, Inconel 600 Flexolet Threaded

Stockist Of Stainless Steel Flexolet Threaded, Raised Faced Flexolet Threaded Dealer In India, Ansi B16.11 Flexolet Threaded, ASME B16.11 Flexolet Threaded, Asme B16.11 Class 150 Flexolet Threaded Dimension

Best Deal Of Duplex Steel Flexolet Threaded, Hastelloy C22 Flexolet Threaded, Alloy Steel Blind Flexolet Threaded, Nickel Alloy 200 Flexolet Threaded, Manufacturer Of Flexolet Threaded, Carbon Steel Flexolet Threaded, Mss Sp-97 Flexolet Threaded In India

Flexolet Threaded is the most popular branch connection: the branch is made by welding the item to the outlet of the run pipe. The ends of a **Flexolet Threaded** are bevelled to facilitate the welding process, and for this reason **Flexolet Threaded** belong to the family of butt weld fittings.

Fivebros forgings Pvt LTD. Is One Of The Largest **Manufacturer Of Flexolet Threaded in India.** **SS ASME B16.11 Flexolet Threaded** has excellent resistance to chloride-ion stress-corrosion cracking, and as well shows appropriate resistance to a number of oxidizing environments. **ANSI B16.11 Flexolet Threaded** is very much resistant to chemical corrosion and oxidation (corrosion resistant), and has some high stress-rupture effectiveness and low creep rates under high stresses at temperatures after suitable heat treatment. Our **ASTM A182 Flexolet Threaded** are accessible to our valuable customers in different range of diameters (d), wall thicknesses (w) and sizes (nom. Pipe Size) in customized form (as per customer requirement or order) and also at quite affordable rates (Best Price In India). Meanwhile, we offer different types of these fitting such as [We Manufacture And Supply Flexolet Threaded In Other Materials Like :] **Stainless Steel 304 Flexolet Threaded**, Inconel 625 Flexolet Threaded, **Carbon Steel Flexolet Threaded**, **Alloy Steel Flexolet Threaded**, etc.

ASME B16.9 Flexolet Threaded Manufacturers

Standard Specification of Flexolet Threaded

Dimensions : ASME 16.11, MSS SP-97, BS 3799

Size : 1/2" to 24"

Pressure Class : 3000 LBS, 6000 LBS, 9000 LBS

Form : Welding Outlets, Welding Olets.

What is Flexolet Threaded

Flexolet Threaded is the most popular branch connection: the branch is made by welding the item to the outlet of the run pipe. The ends of a **ASTM A105 Flexolet Threaded** are bevelled to facilitate the welding process, and for this reason **Flexolet Threaded** belong to the family of butt weld Fittings.

Manufacturing Standards of Flexolet Threaded

ASTM A182 – ASME SA182 – Standard Specification for Wrought Austenitic Stainless Steel Piping Fittings

ASME B16.11 – Forged Fittings Socket – Welding and Threaded

MSS SP-97 – Integrally Reinforced Forged Branch Flexolet Threaded – Threaded, Threaded and Buttwelding End

Material & Grades of ASME B16.9 Flexolet Threaded :

Stainless Steel Flexolet Threaded :

ASTM A 182, A 240 F 304, 304L, 304H, 316, 316L, 316Ti, 310, 310S, 321, 321H, 317, 347, 347H, 904L

Duplex & Super Duplex Steel Flexolet Threaded :

ASTM / ASME A/SA 182 F 44, F 45, F51, F 53, F 55, F 60, F 61

Carbon Steel Flexolet Threaded :

ASTM / ASME A/SA 105 ASTM / ASME A 350 , ASTM A 181 LF 2 / A516 Gr.70 A36, A694 F42, F46, F52, F60, F65, F706

Low Temperature Carbon Steel Flexolet Threaded: ASTM A350, LF2, LF3

Alloy Steel Flexolet Threaded:

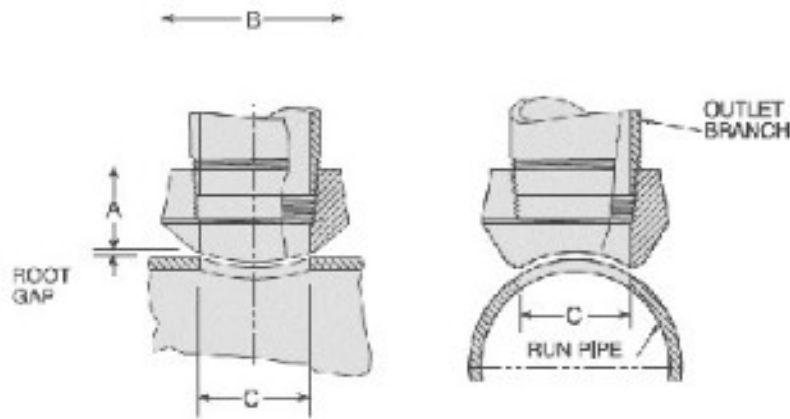
ASTM / ASME A/SA 182 & A 387 F1, F5, F9, F11, F12, F22, F91

Copper Alloy Steel Flexolet Threaded: ASTM SB 61 , SB62 , SB151 , SB152 UNS No. C 70600 (Cu-Ni 90/10), C 71500 (Cu-Ni 70/30), UNS No. C 10100, 10200, 10300, 10800, 12000, 12200

Nickel Alloy Flexolet Threaded:

ASTM SB564, SB160, SB472, SB162 Nickel 200 (UNS No. N02200), Nickel 201 (UNS No. N02201), Monel 400 (UNS No. N04400), Monel 500 (UNS No. N05500), Inconel 800 (UNS No. N08800), Inconel 825 (UNS No. N08825), Inconel 600 (UNS No. N06600), Inconel 625 (UNS No. N06625), Inconel 601 (UNS No. N06601), Hastelloy C 276 (UNS No. N10276), Alloy 20 (UNS No. N08020)

Flexolet Threaded Dimensions:



Olets Branch Connection – Flexolet Threaded Dimensions

Outlet Size	Dimensions			Appx Weight Pounds
	Inches	A	B	
1/4	3/4	1 1/16	0.437	0.14
3/8	13/16	1 1/16	0.578	0.14
1/2	1	1 15/32	0.718	0.28
3/4	1 1/16	1 45/64	0.922	0.39
1	1 5/16	2 3/32	1.156	0.73
1 1/4	1 5/16	2 17/32	1.500	0.96
1 1/2	1 3/8	2 25/32	1.734	1.12
2	1 1/2	3 5/16	2.218	1.66
2 1/2	1 13/16	3 29/32	2.625	2.73
3	2	4 21/32	3.250	3.88
CL 3000	4	5 13/16	4.250	6.18

Outlet Size	Dimensions			Appx Weight Pounds
	Inches	A	B	
1/4	3/4	1 1/16	0.437	0.14
3/8	1 1/8	1 5/16	0.578	0.14
1/2	1 1/4	1 3/4	0.718	0.28

3/4	1 7/16	2 1/16	0.922	0.39
1	1 9/16	2 17/32	1.156	0.73
1 1/4	1 5/8	2 1/2	1.500	0.96
1 1/2	1 11/16	3 5/16	1.734	1.12
2	2 1/6	3 31/32	2.218	1.66